

Teamworks Contest Updates and Information – High School

Teamworks contestants and advisors, please find the attached blueprint this years' project.

Contest Times

High School –

Tuesday, April 9 at 1:00pm: Orientation and Contest Start

Wednesday, April 10 at 8:00am: Contest resumes

Information for the Build

- There will be at least 1 change order
- There will be no plumbing below subfloor
- We are having a brazing component between 1 and 4 on Tuesday 4-9-19.

Presentation – Video and submit by 5pm on 4/8/19

1. Teams are asked to study drawing with instructor.
2. Develop a 5 minute max. presentation describing their plan of work (all members must participate)
3. Video on a mobile phone or video recorder.
4. Instructor must email video to: **t_eldridge@bellsouth.net** by 5:00pm on 4-8-2019.

Tools

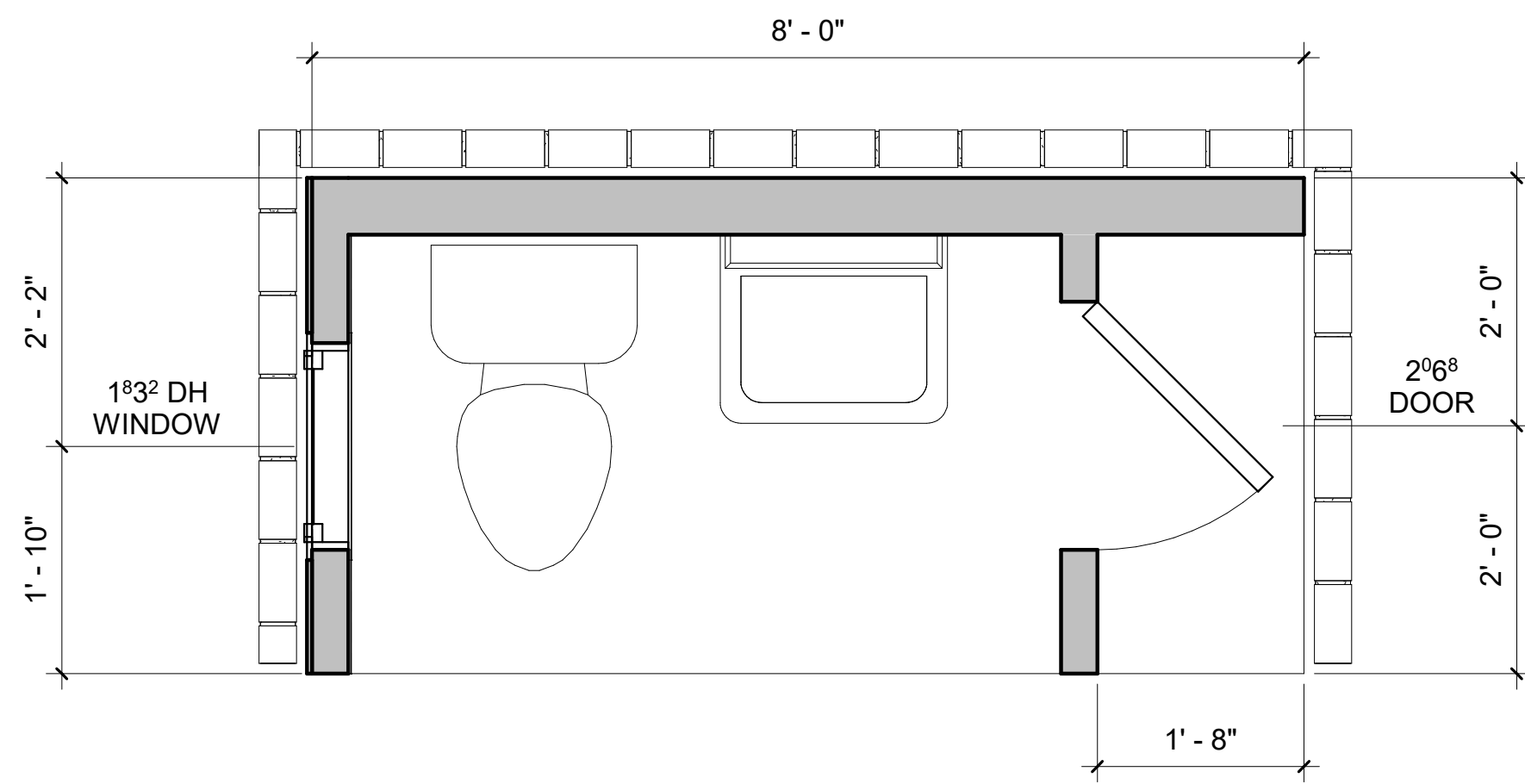
Teams should bring all tools. The committee does Not provide any tools.

Include: broom, mortar board, step ladder, saw bucks, drop cords, all hand and power tools for all areas represented Carpentry, electrical, plumbing, masonry

Do Not Bring: power miter saw or chop saw, prefab pieces

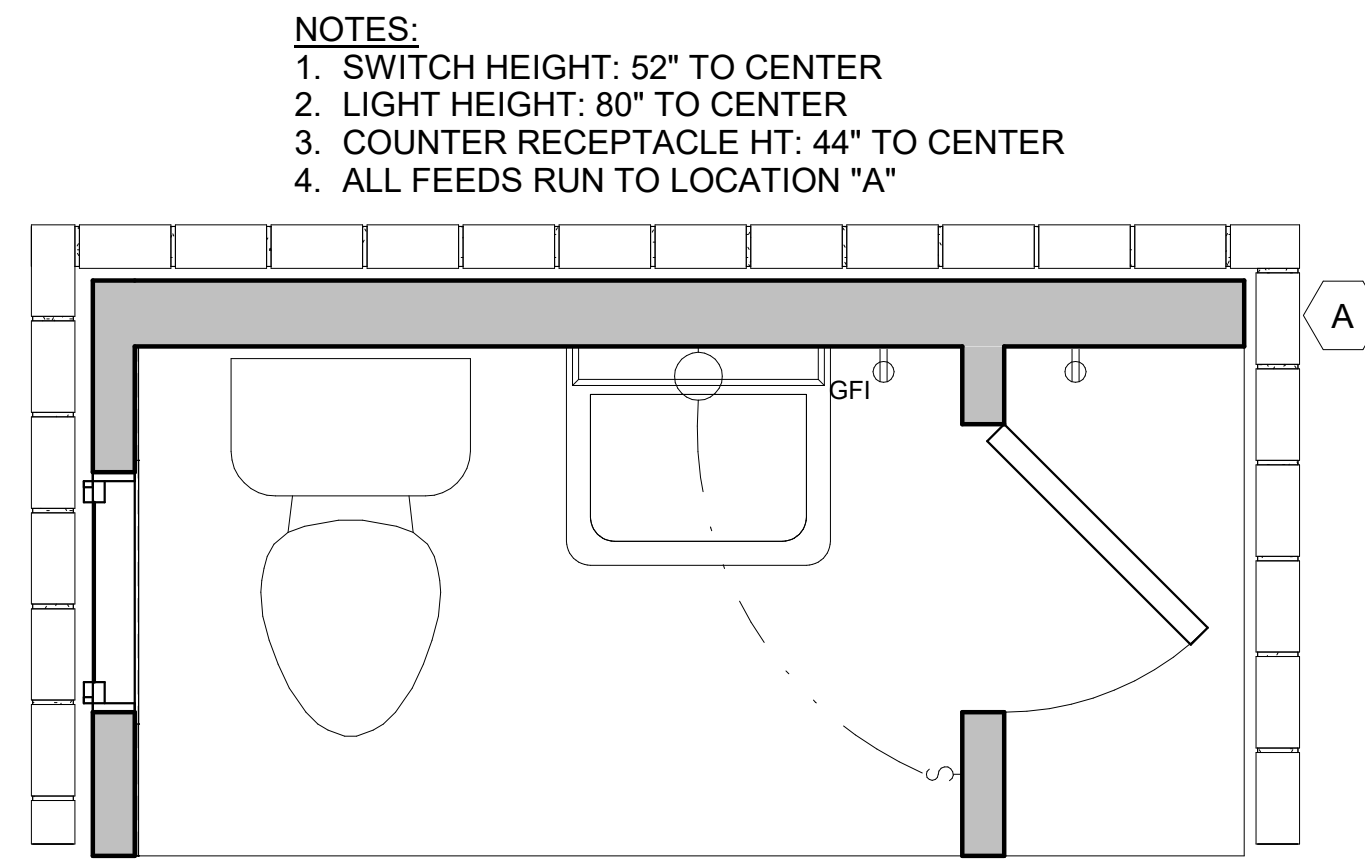
Contest Chair

Tim N. Eldridge



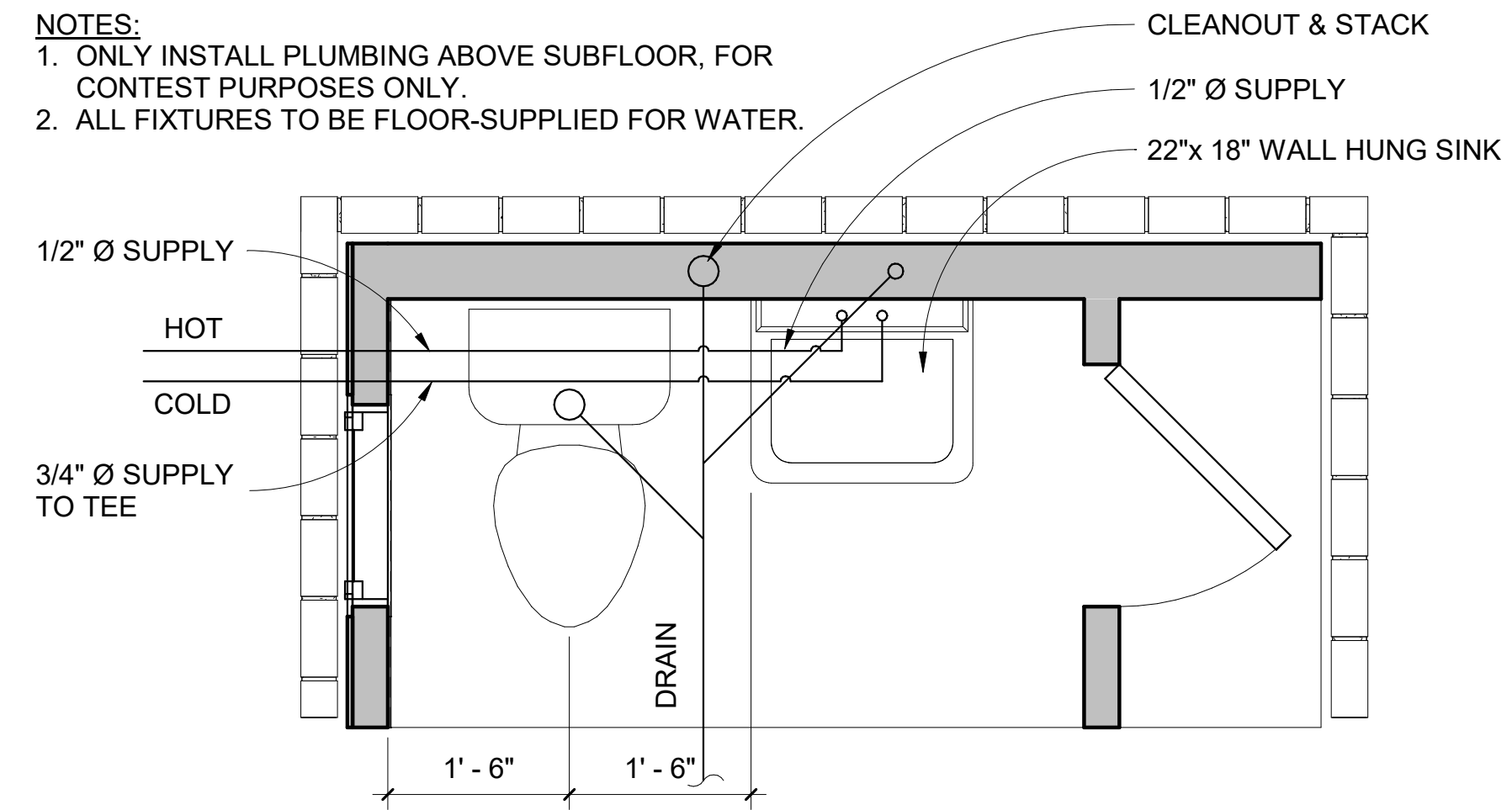
FLOOR PLAN

3/4" = 1'-0"



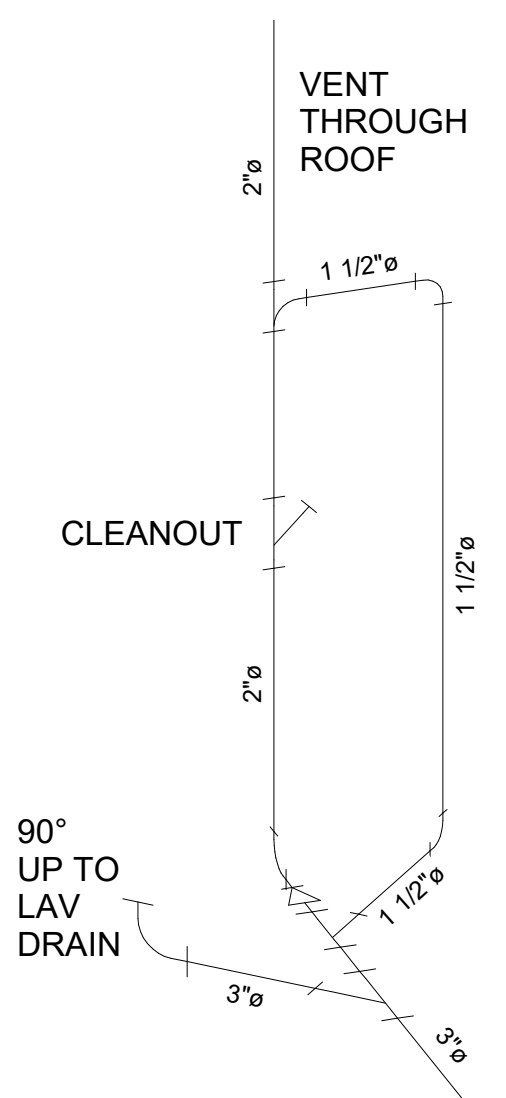
ELECTRICAL PLAN

3/4" = 1'-0"

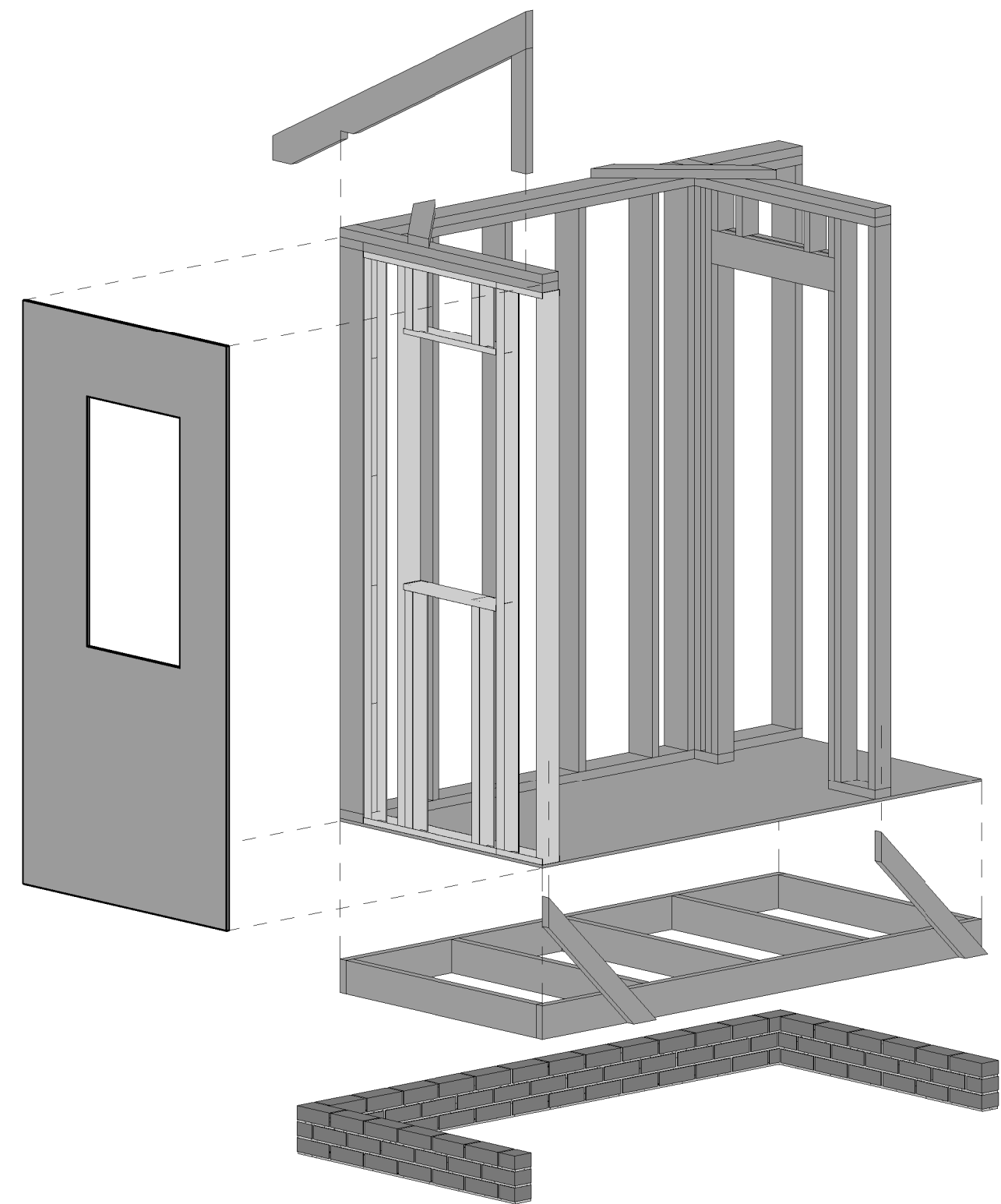


PLUMBING PLAN

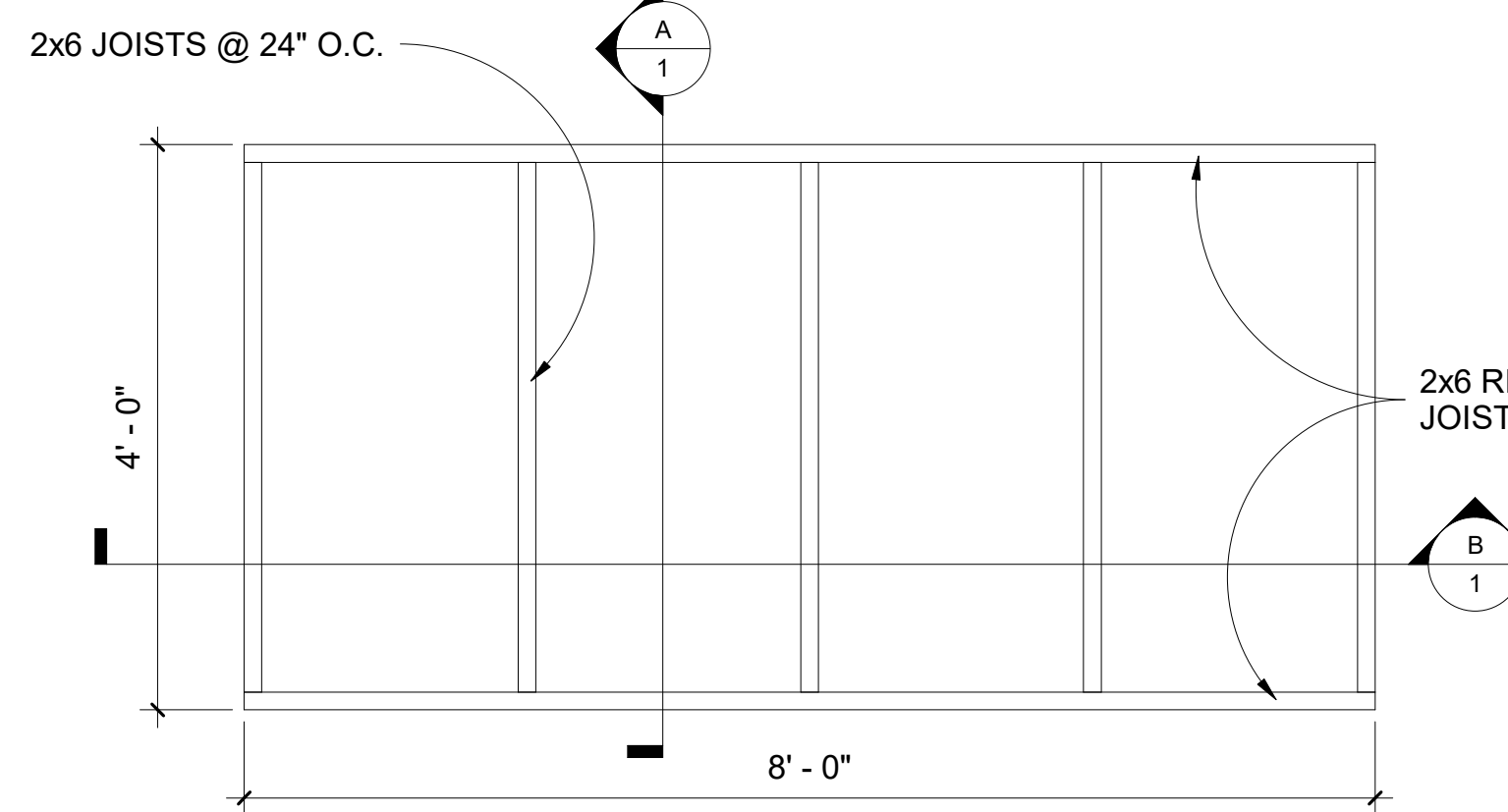
3/4" = 1'-0"



RISER DIAGRAM

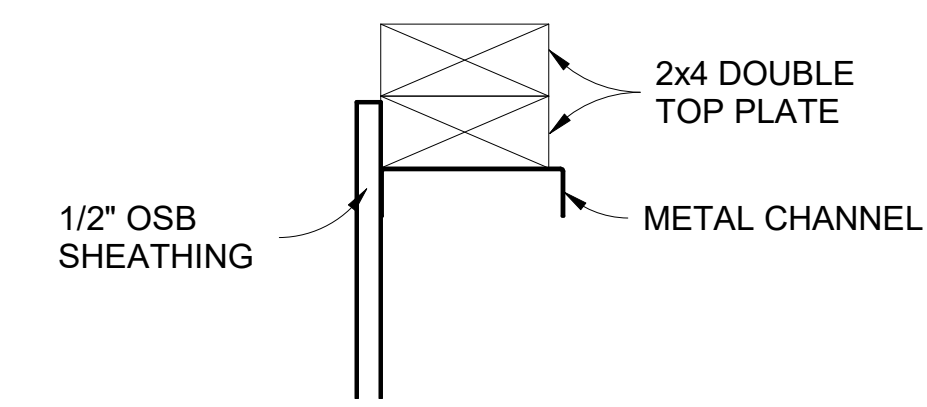


EXPLODED ISOMETRIC VIEW



FLOOR FRAMING

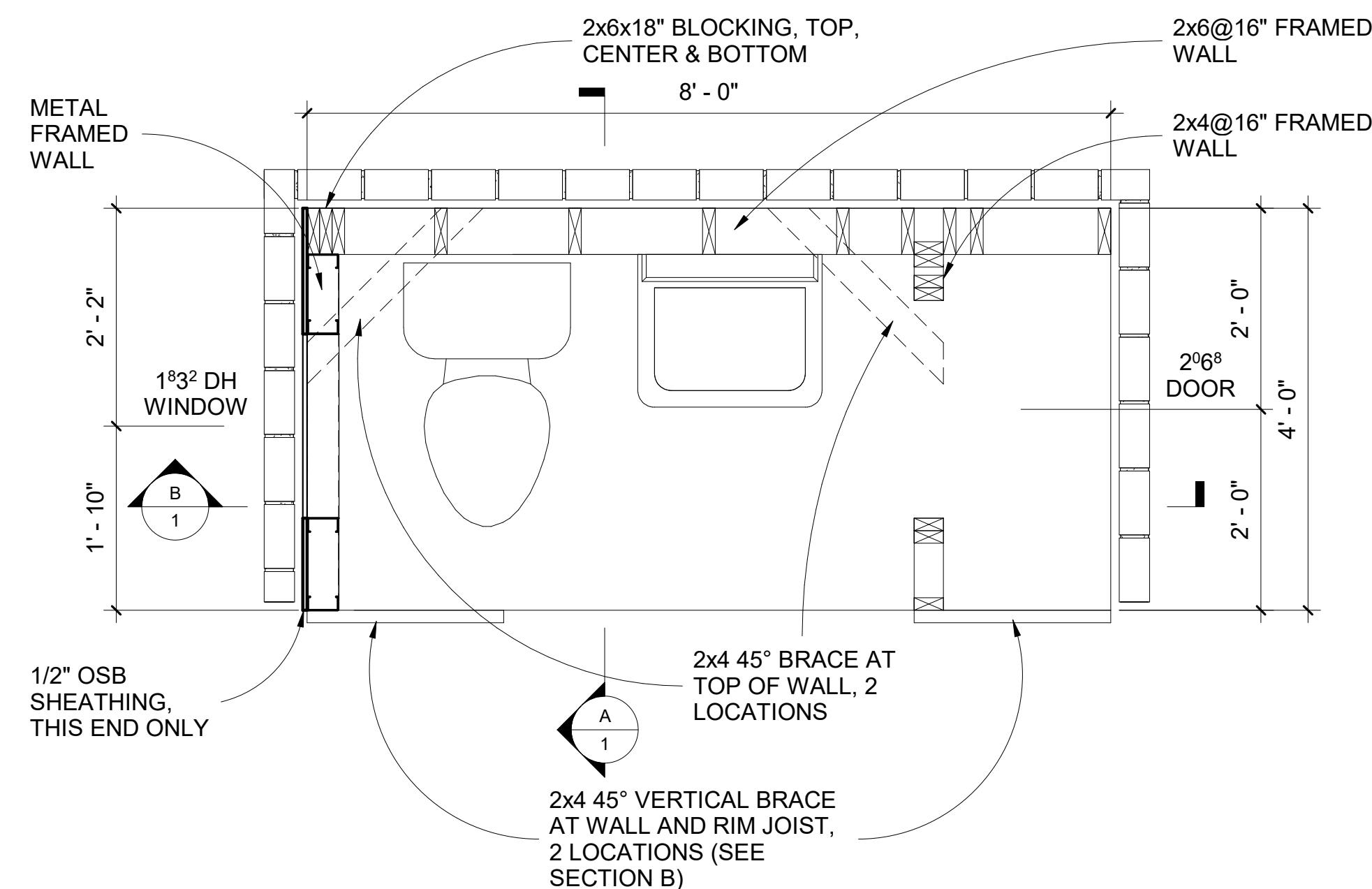
3/4" = 1'-0"



C PLATE SECTION

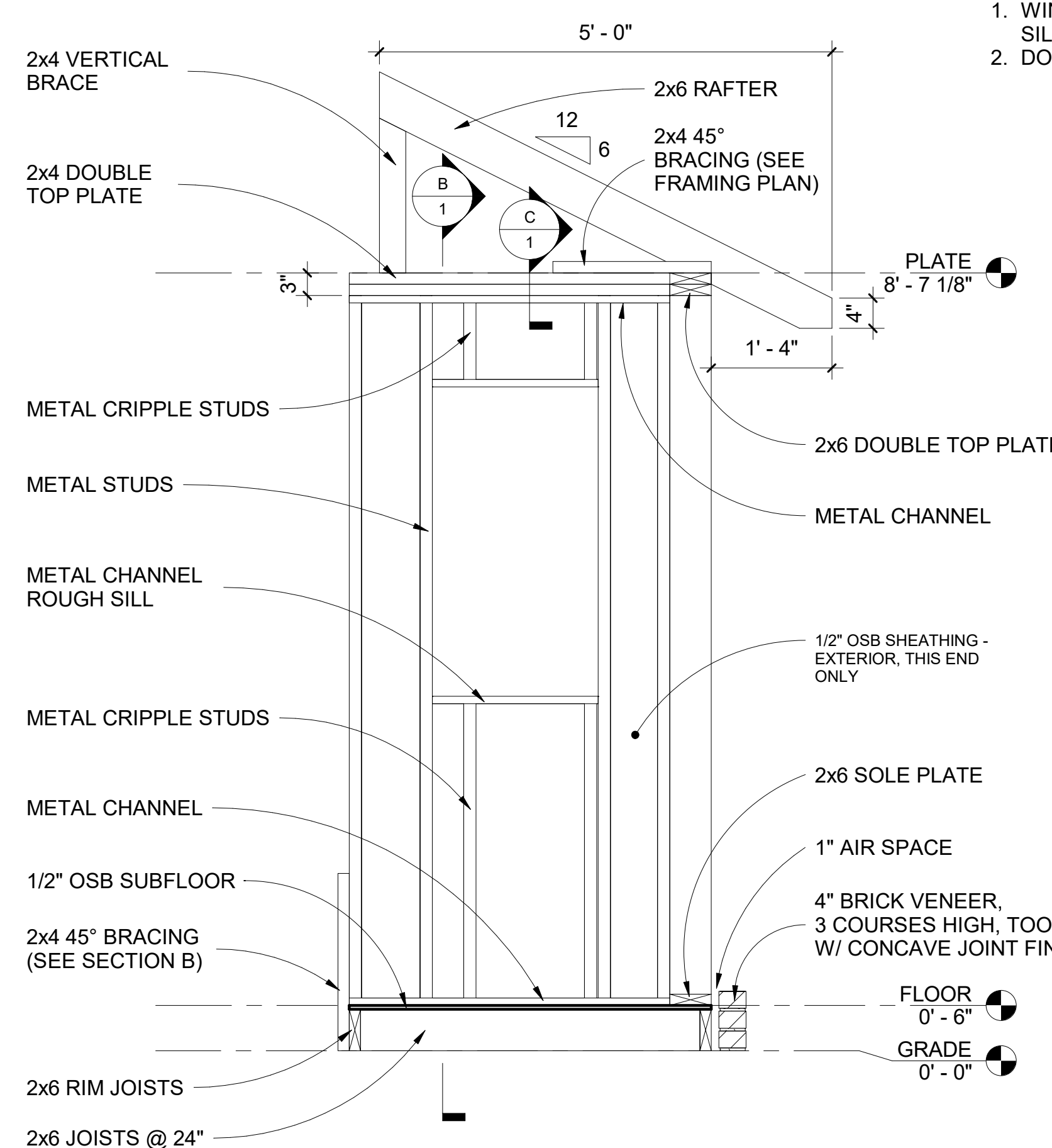
3" = 1'-0"

- GENERAL NOTES:**
- 8' WALL TO BE 2x6 WOOD FRAMING.
 - 4' WINDOW WALL TO BE METAL STUD W/ 2x4 DOUBLE TOP PLATE.
 - 4' DOOR WALL TO BE 2x4 WOOD FRAMING.
 - SHEATHING APPLIED ONLY TO EXTERIOR OF 4' WINDOW WALL.
 - TEAR-DOWN INCLUDED IN SCORING; TORN DOWN ITEMS MUST FIT IN DUMPSTER.



FRAMING PLAN

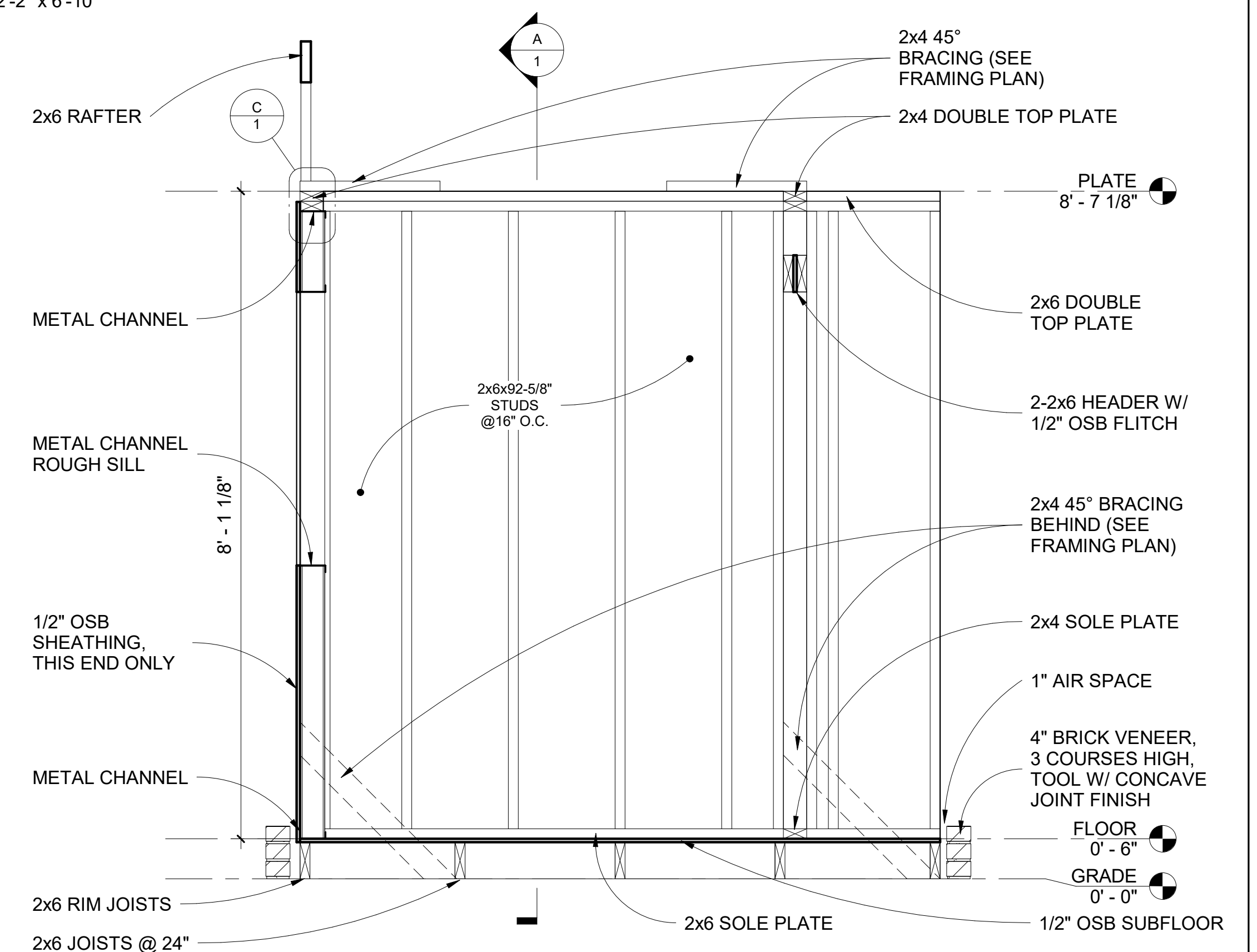
3/4" = 1'-0"



A FRAMING SECTION

3/4" = 1'-0"

- NOTES:**
- WINDOW RO: 1'-10" x 3'-5", SILL AT 41"
 - DOOR RO: 2'-2" x 6'-10"



B FRAMING SECTION

3/4" = 1'-0"