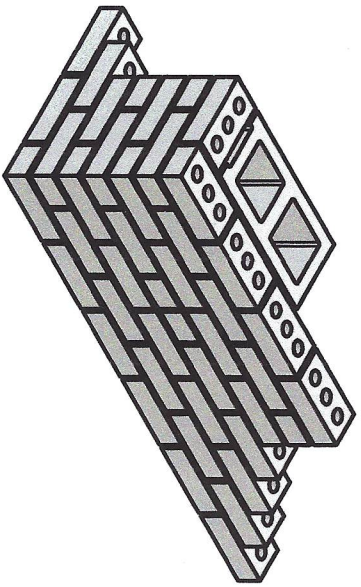
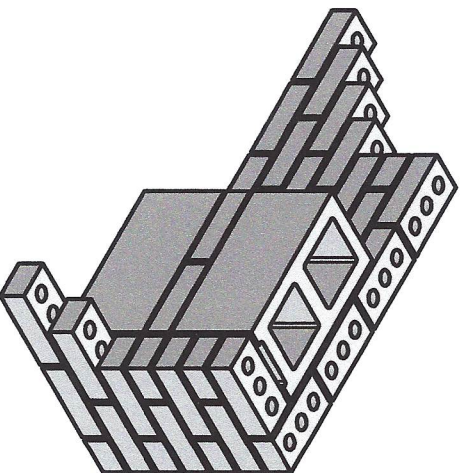


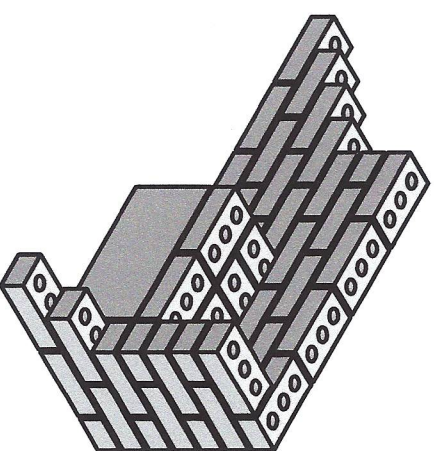
# NC SkillsUSA Masonry 1 Competition 2024



FRONT ISOMETRIC



BACK ISOMETRIC

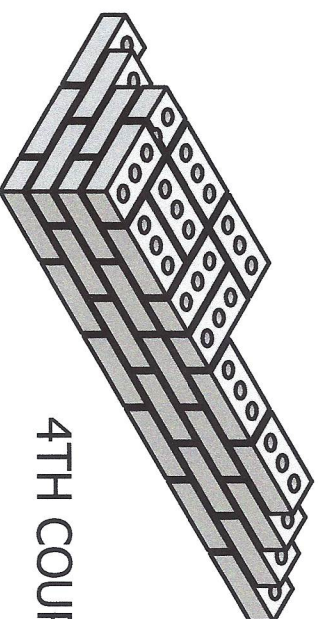


TOP BLOCK REMOVED

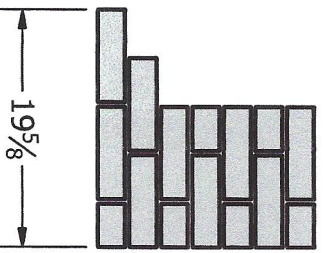
## MATERIALS LIST

- 47 - MODULAR BRICK
- 2 - CONCRETE BLOCK

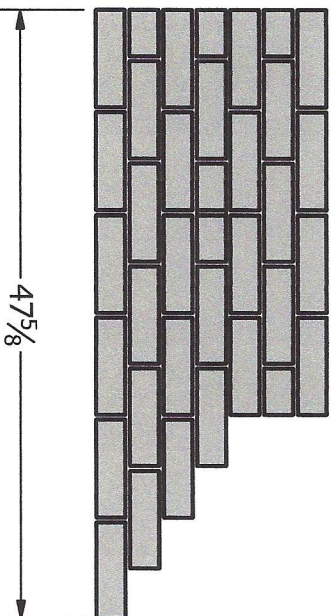
HEIGHT WILL BE CHECKED FROM THE FLOOR.  
EACH COURSE TO BE SCALED ON A MODULAR #6.



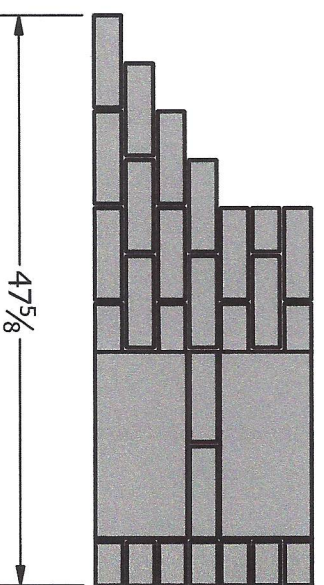
4TH COURSE



LEFT END



FRONT ELEVATION



BACK ELEVATION