

## **Teamworks Contest Updates and Information – POSTSECONDARY**

Teamworks contestants and advisors, please find the attached blueprint this years' project.

### **Contest Times**

#### **High School –**

Tuesday, April 9 at 1:00pm: Orientation and Contest Start (PENDING)

Wednesday, April 10 at 8:00am: Contest resumes

### **Information for the Build**

- There will be at least 1 change order
- There will be no plumbing below subfloor
- We are having a brazing component between 1 and 4 on Tuesday 4-9-19.

### **Presentation – Video and submit by 5pm on 4/8/19**

1. Teams are asked to study drawing with instructor.
2. Develop a 5 minute max. presentation describing their plan of work (all members must participate)
3. Video on a mobile phone or video recorder.
4. Instructor must email video to: [t\\_eldridge@bellsouth.net](mailto:t_eldridge@bellsouth.net) by 5:00pm on 4-8-2019.

### **Tools**

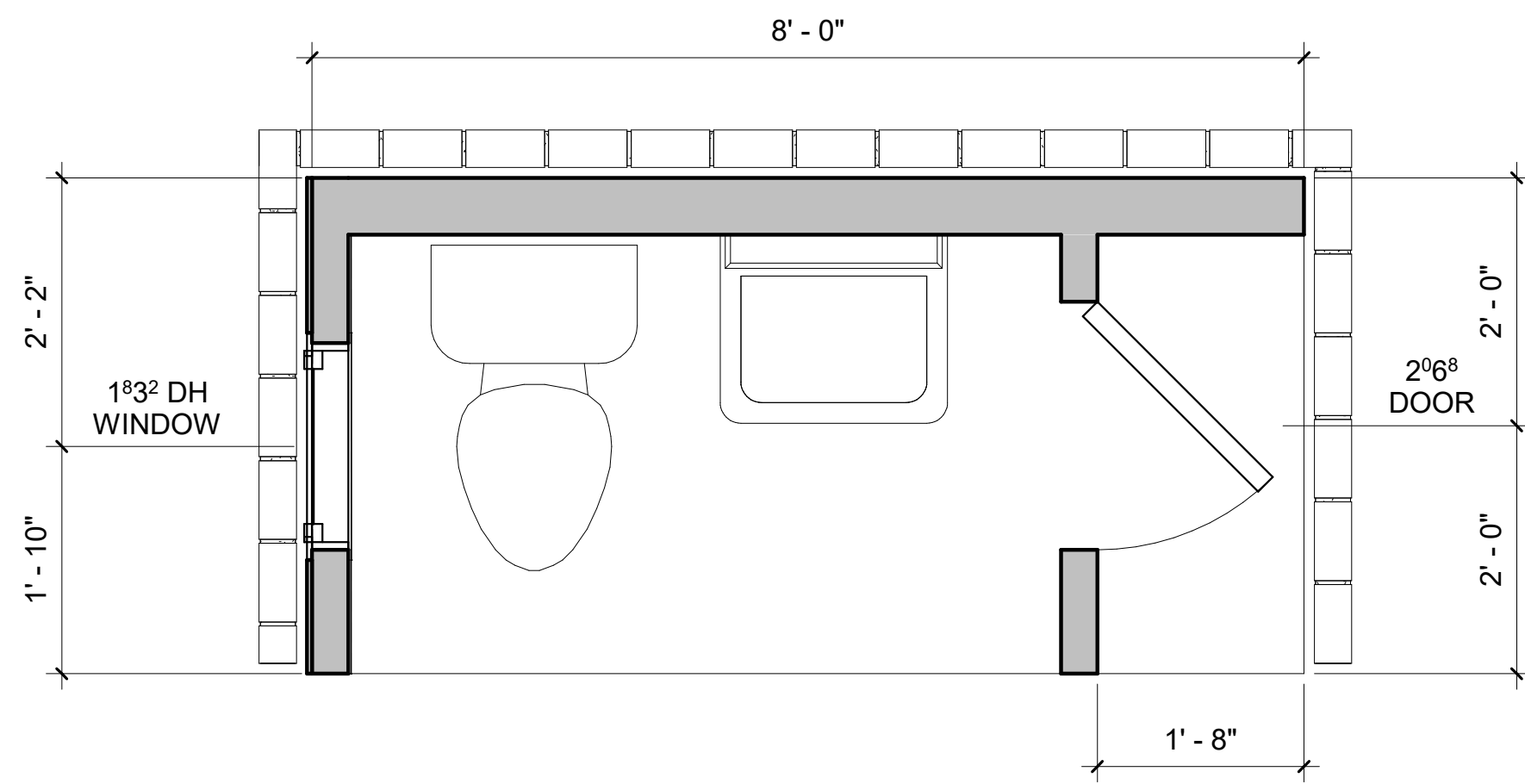
Teams should bring all tools. The committee does Not provide any tools.

**Include:** broom, mortar board, step ladder, saw bucks, drop cords, all hand and power tools for all areas represented Carpentry, electrical, plumbing, masonry

**Do Not Bring:** power miter saw or chop saw, prefab pieces

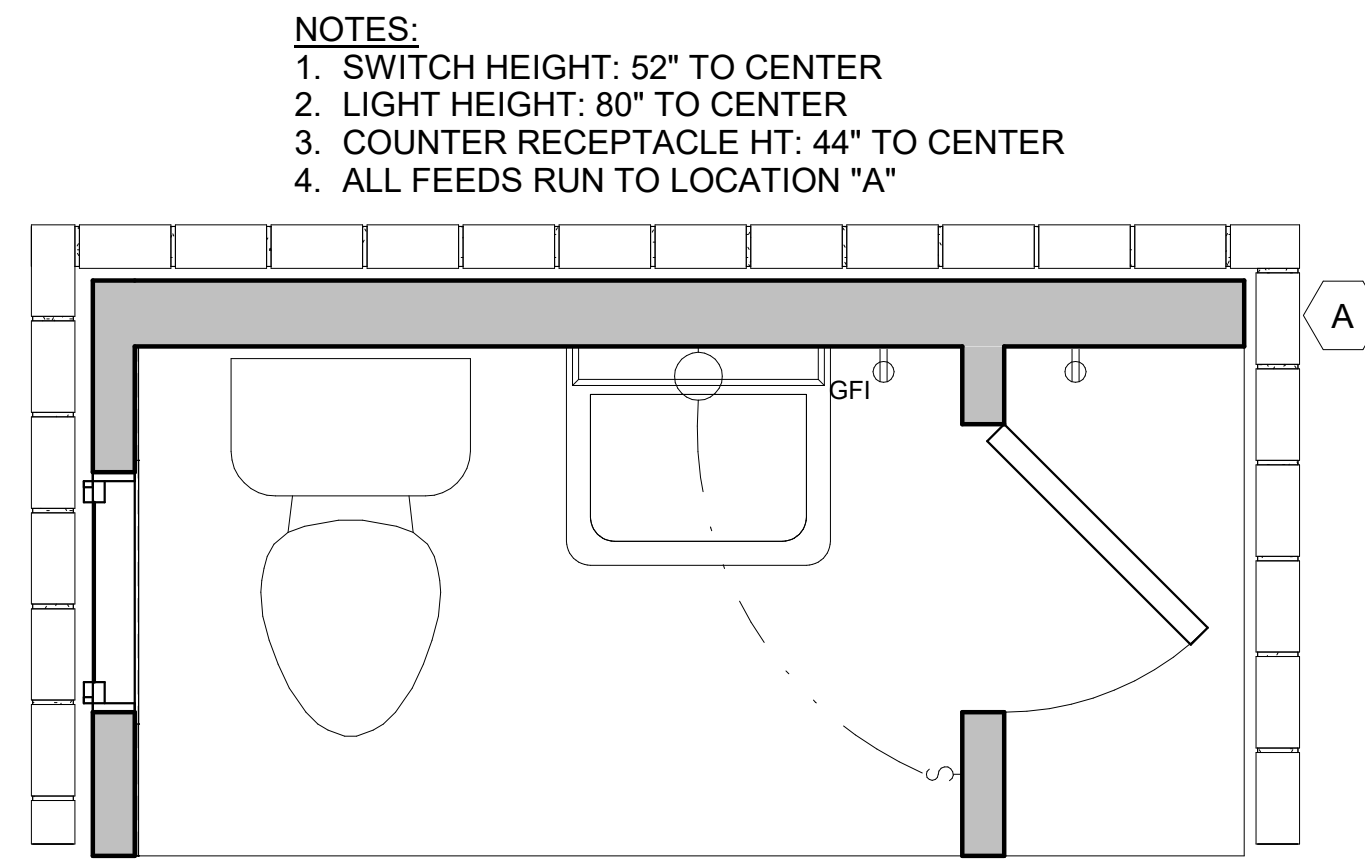
### **Contest Chair**

Tim N. Eldridge



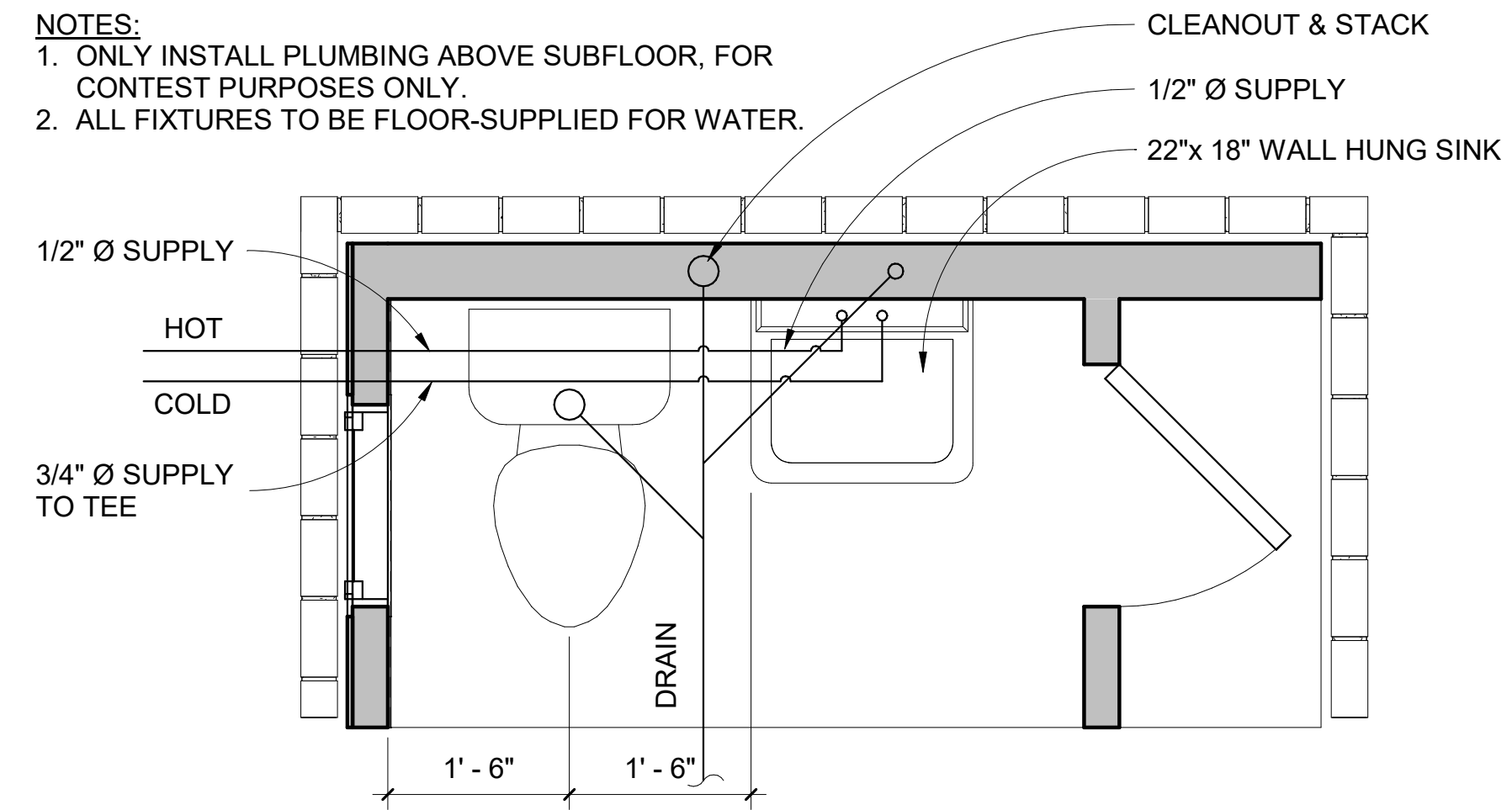
**FLOOR PLAN**

3/4" = 1'-0"



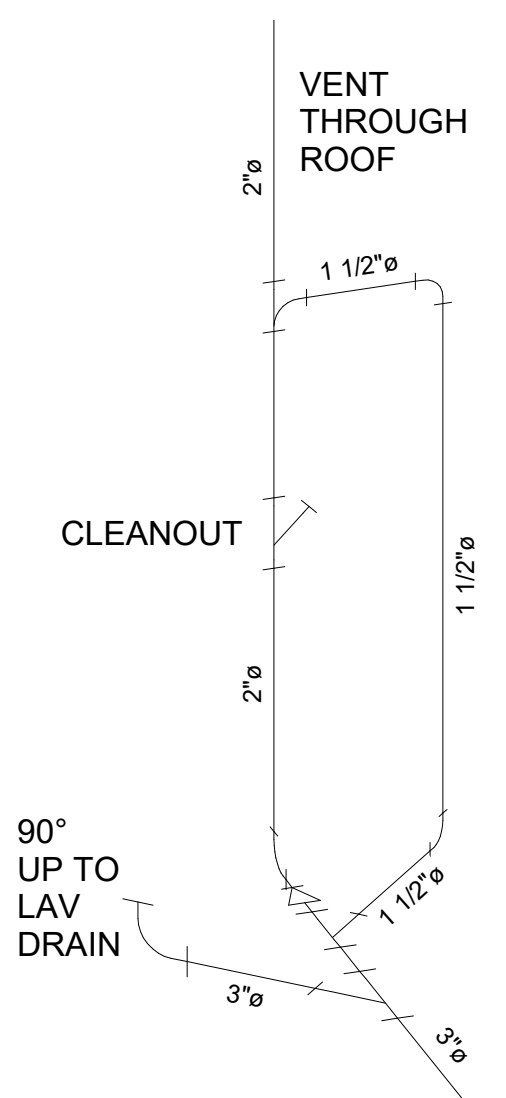
**ELECTRICAL PLAN**

3/4" = 1'-0"

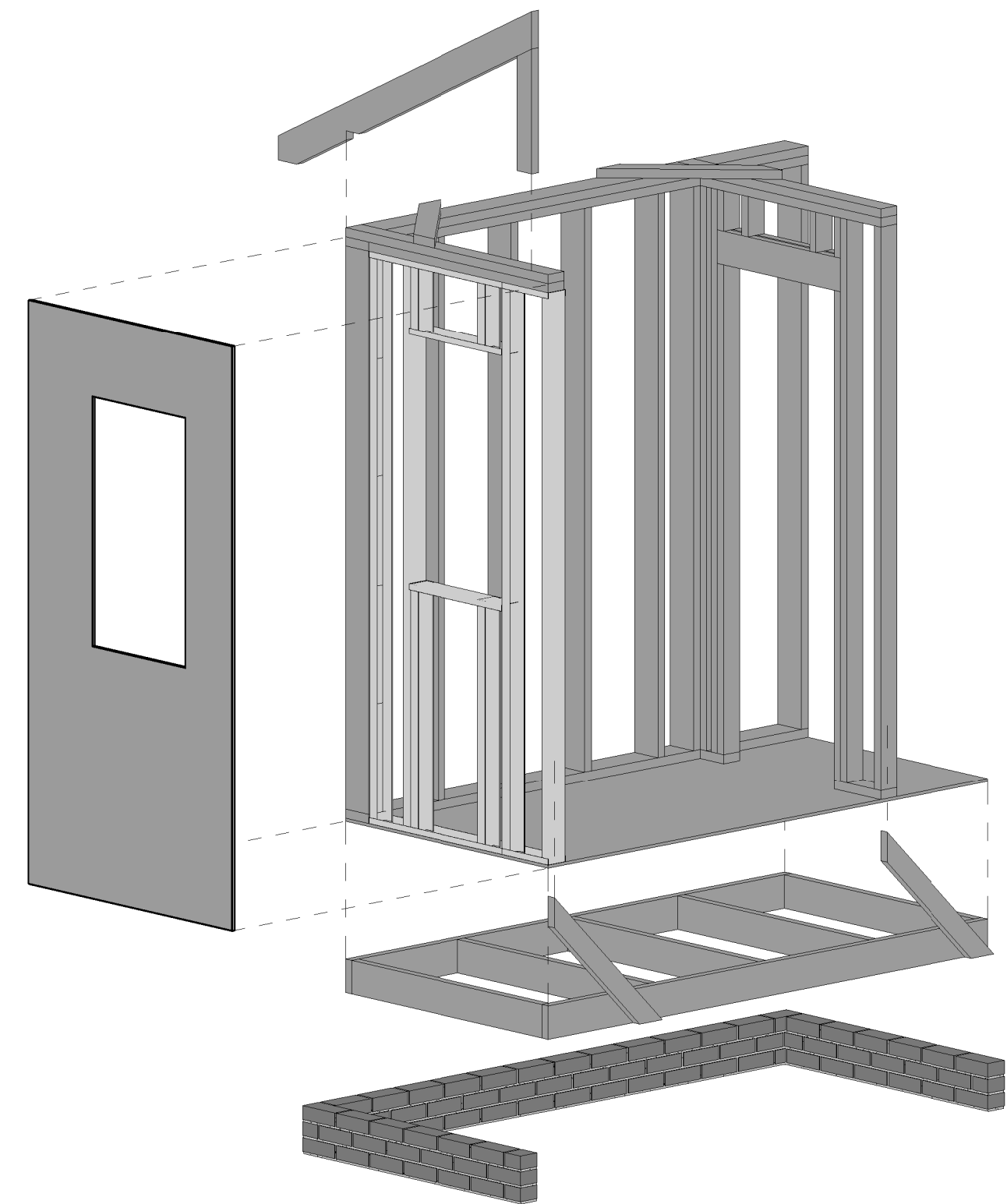


**PLUMBING PLAN**

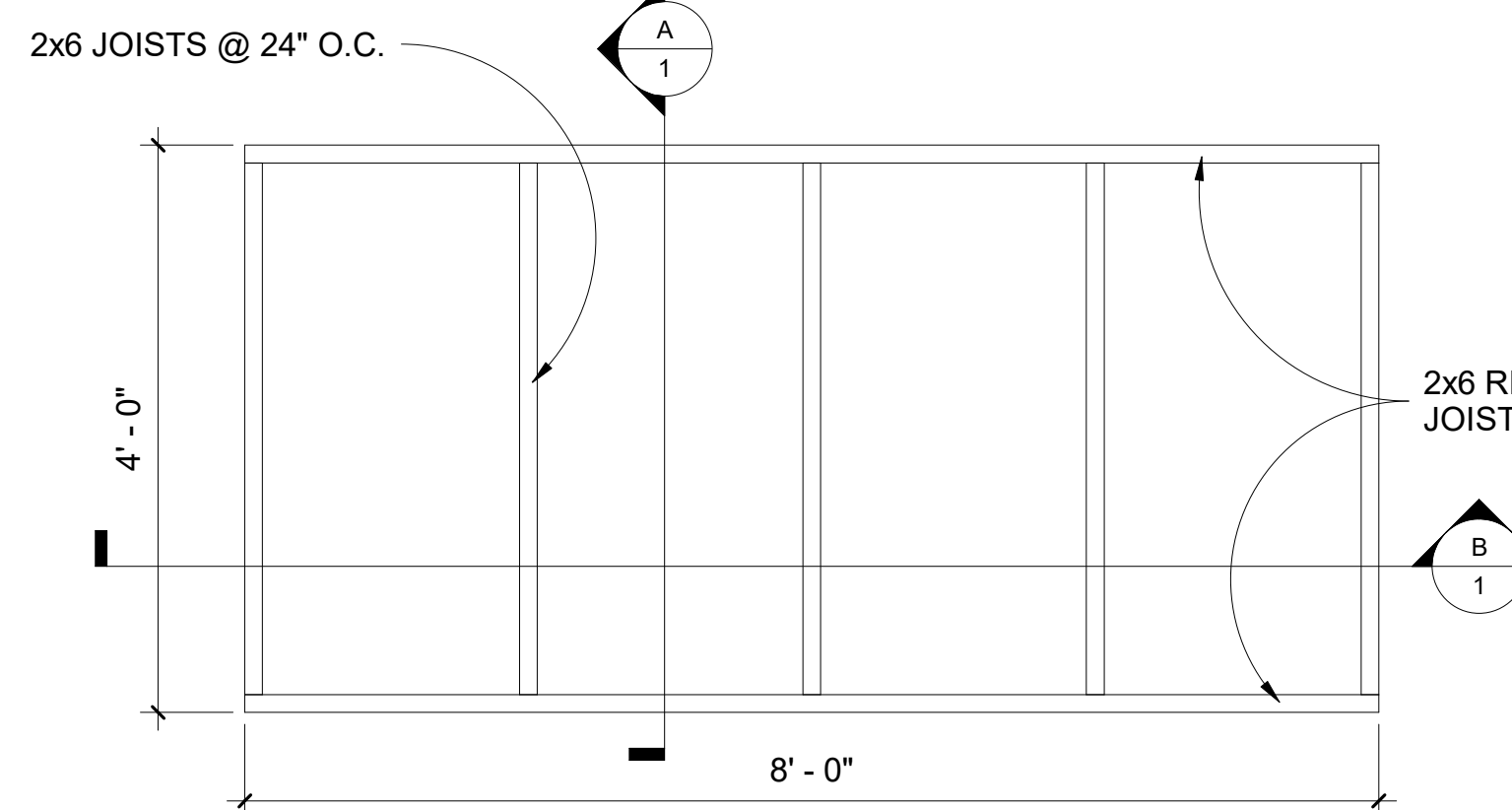
3/4" = 1'-0"



**RISER DIAGRAM**

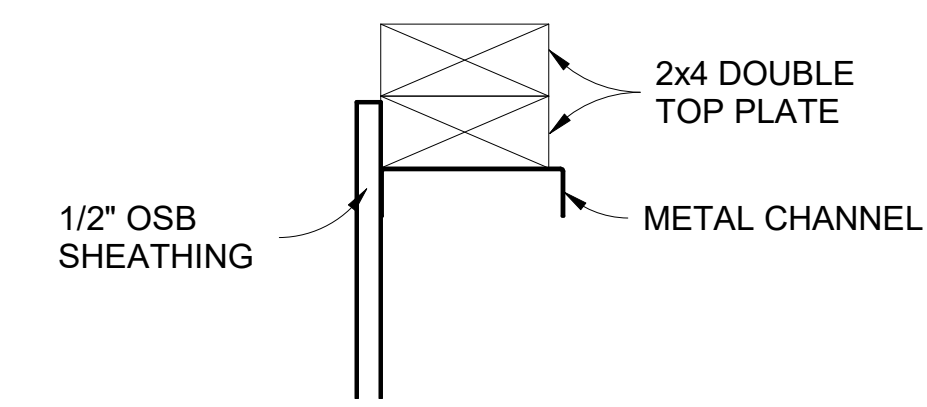


**EXPLODED ISOMETRIC VIEW**



**FLOOR FRAMING**

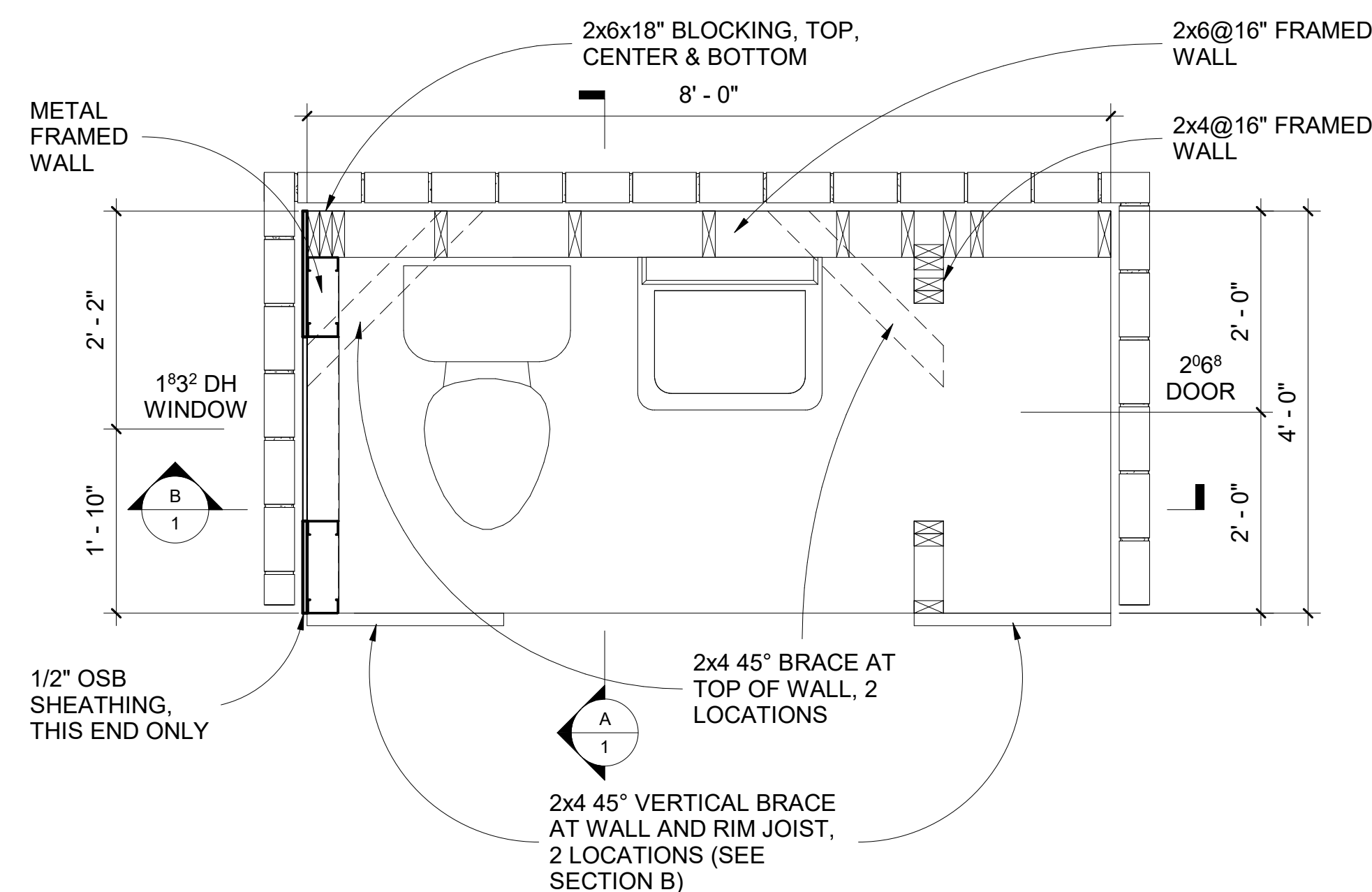
3/4" = 1'-0"



**C PLATE SECTION**

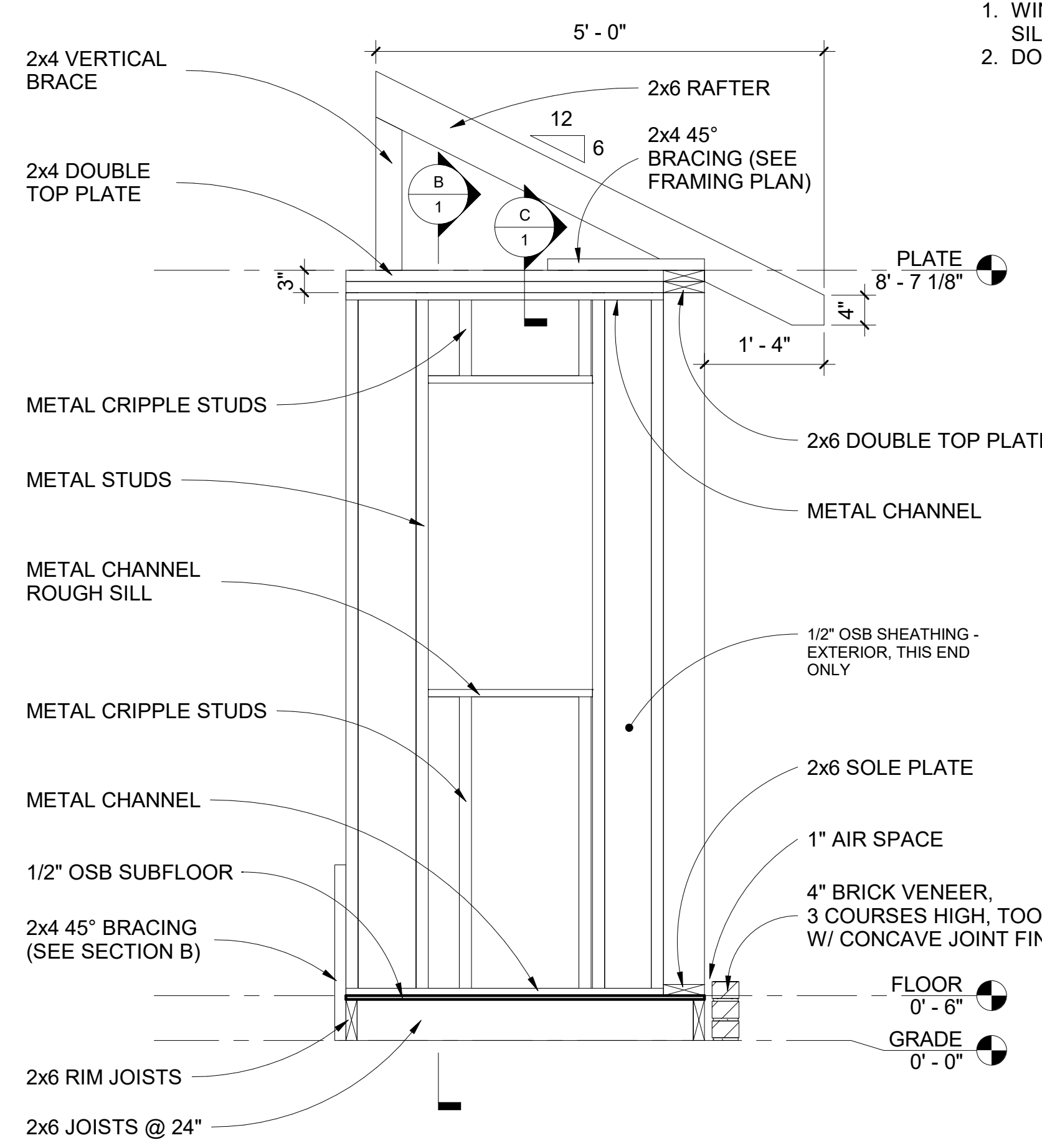
3" = 1'-0"

- GENERAL NOTES:**
- 8' WALL TO BE 2x6 WOOD FRAMING.
  - 4' WINDOW WALL TO BE METAL STUD W/ 2x4 DOUBLE TOP PLATE.
  - 4' DOOR WALL TO BE 2x4 WOOD FRAMING.
  - SHEATHING APPLIED ONLY TO EXTERIOR OF 4' WINDOW WALL.
  - TEAR-DOWN INCLUDED IN SCORING; TORN DOWN ITEMS MUST FIT IN DUMPSTER.



**FRAMING PLAN**

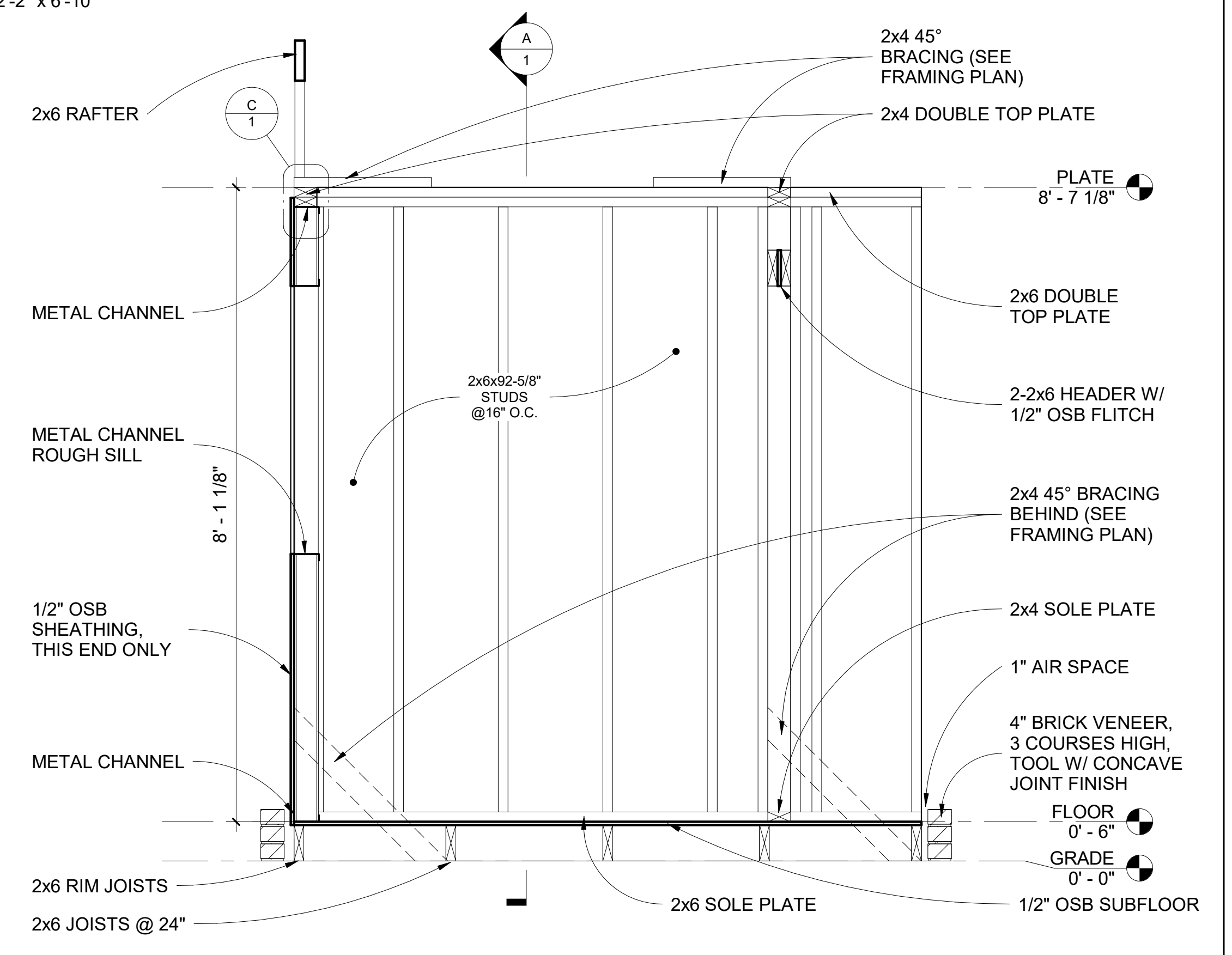
3/4" = 1'-0"



**A FRAMING SECTION**

3/4" = 1'-0"

- NOTES:**
- WINDOW RO: 1'-10" x 3'-5", SILL AT 41"
  - DOOR RO: 2'-2" x 6'-10"



**B FRAMING SECTION**

3/4" = 1'-0"